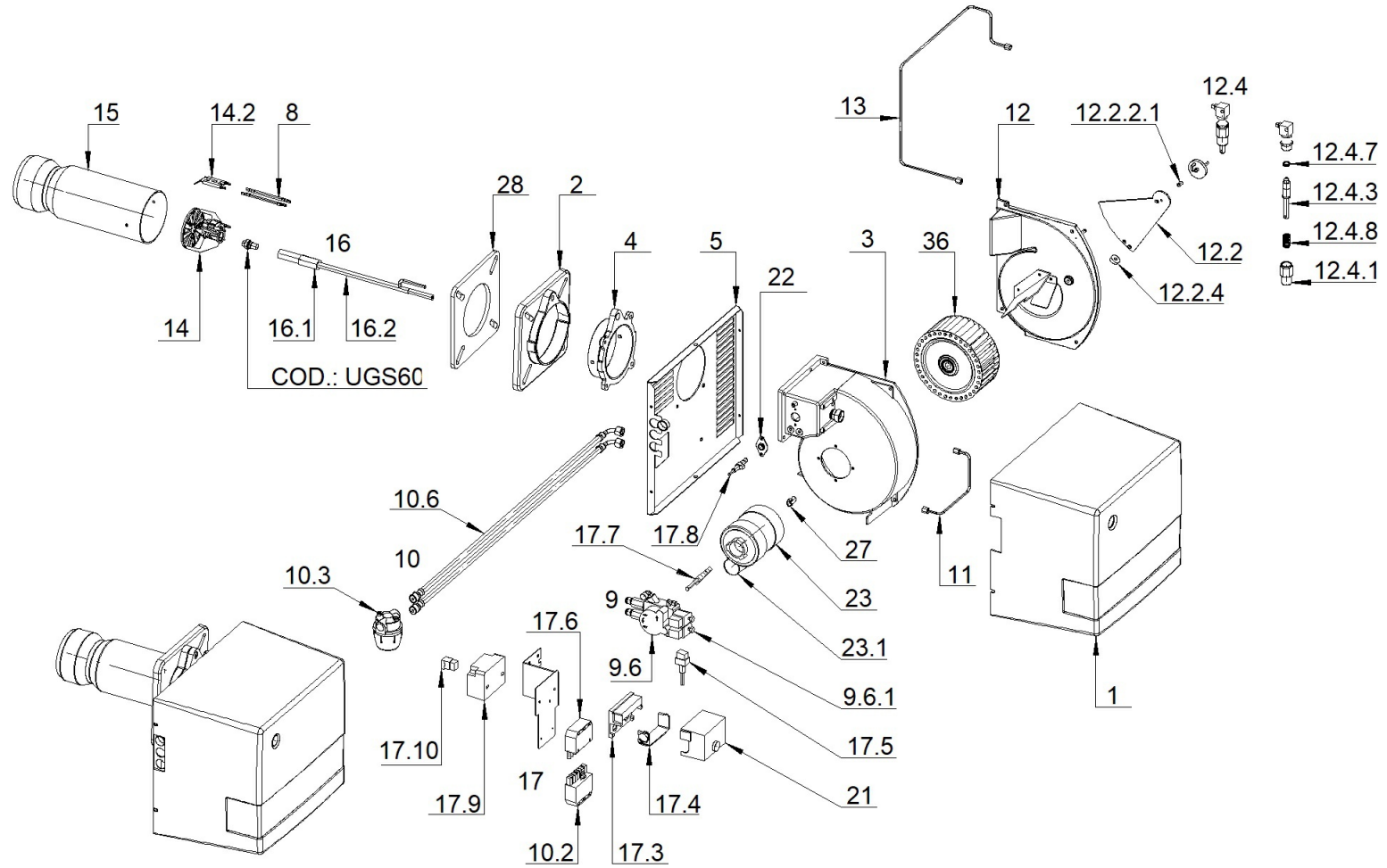


001559\_1B

BURNER LIGHT-OIL.22



001559\_1B

BURNER LIGHT-OIL.22

Pos.	Code	Descriptions	Minimum Purchase Quantity
1	011216	COVER FBR RED	1
2	011263	BOILER FLANGE	1
3	013438	BURNER'S BODY	1
4	013449	COLLAR	1
5	022258	FRONT SHIELD	1
8	040206	IGNITION CABLE CARBON Sez.1-D5 D4-D4	1
9	054039	GR.POMP 230V-50:60Hz	1
10	054153	BURNER'S ACCESSORIES FBR	1
10.2	118445	PLUG WIELAND ST 18-7 (7 POLES.T)	1
10.3	224500	FILTER FAG 20151-PE 0.1-D3:8P	1
9.6	259546	POMP SUNTEC AT3-45A-9559-2P-0500 230V-50:60Hz	1
9.6.1	111226	COIL SUNTEC-3713798 230V-50:60Hz	1
9.6.2	258583	BODY SOLENOID VALVE POMP SUNTEC-991502_2 AT-AL	1
9.6.3	295030	BODY SOLENOID VALVE POMP SUNTEC AT-991440	1
9.6.4	590000	GASKET SHAFT POMP SUNTEC-991511 AN-AS-AL-AT	1
10.6	278016	SUBSTITUTED FROM 278014+248012 PIPE FLEX L MF3/8"-1/4"	1
11	054421	GR.PIPELINE DELIVERY POMP-NOZZLE-HOLDER	1
12	054447	GR.COVER ASPIRATION	1
12.2	054446	GR.SHUTTER AIR	1
12.2.2.1	220006	BUCKLE CYLINDRICAL FB1-0510 D5X7X10	1
12.2.4	220000	BEARING SKF 626-2Z	1
12.4	054651	GR.HYDRAULIC JACK	1
12.4.1	031252	HYDRAULIC JACK SLEEVE	1
12.4.3	031628	HYDRAULIC JACK STEM	1

001559\_1B

BURNER LIGHT-OIL.22

Pos.	Code	Descriptions	Minimum Purchase Quantity
12.4.7	229302_2	GASKET DE056 DALMAR - VITON	1
12.4.8	244201	SPRING TO CYLINDRICAL HELIX 1.6x14x52	1
14	054483_2	TESTINA D84-D22 N°10T GIB.	2
14.2	133939	DOUBLE ELECTRODE	1
15	054494	BLAST TUBE	1
16	054498	GR.NOZZLE-HOLDER	1
16.1	032599	NOZZLE-HOLDER	1
16.2	054499	TUBE WITH INDEX GR.WELDED	1
17	060327	BURNER'S ELECTRICAL PANEL SIEMENS 1Nac230V-50:60Hz	1
17.10	189006	CABLE+CONNECTOR M-TR-DANFOSS L300	1
17.3	111001	BASE CONTROL BOX SIEMENS AGK11	1
17.4	111002	STILL-CABLE CONTROL BOX SIEMENS AGK66	1
17.5	118416	CABLE+CONNECTOR M-EVP L350	1
17.6	118444_3	SOCKET ELET.PLAST. EP-7 (7 POLES.T)	3
17.7	119002	CABLE+CONNECTOR M-MT L570	1
17.8	139107	PHOTORESISTANCE SIEMENS A7G1034415 BLACK L=500	1
17.9	189005	IGNITION TRANSFORMER DANFOSS EB14 052F4031 230V-50:60Hz	1
18	070045	INSTRUCTIONS LIGHT OIL .22 IT FBR-	1
19	076016	DECLARATION OF CONFORMITY - IGEFD FBR-	1
20	078035	ELECTRICAL DIAGRAM BURNER	1
21	101010_2	CONTROL BOX SIEMENS LOA24.171B2FB 230V-50:60Hz	2
21.1	077048	CONTROL BOX INSTRUCTIONS SIEMENS-N7118	1
22	111013	BASE FR SIEMENS QRB1	1
23	158943	MOTOR SIMEL ZD10-2042-32-2P 150W 230V-50Hz-1.1A-6.3uF-CL.B	1

001559\_1B

BURNER LIGHT-OIL.22

Pos.	Code	Descriptions	Minimun Purchase Quantity
23.1	118202	CONDENSER SIMEL 6.3 uF-Vn450	1
27	229002	JOINT MOTOR-POMP SIMEL	1
28	229753	GASKET FLANGE BURNER VF	1
36	291085	FAN D160x70 RD HUB D12.7	1
UGS60	UGS60	Nozzle	1