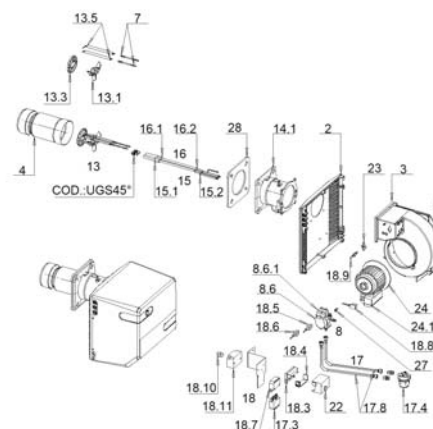


001617_1B
BURNER LIGHT-OIL_2

Pos.	Code	Descriptions
1	013573	COVER FBR RED
2	013575	FRONT SHIELD
3	013576	BURNER'S BODY
4	022915	BLAST TUBE
7	040282	IGNITION CABLE CARBON Sez.1-D5 D6.35-D4
8	055471	GR.POMP (SUNTEC) 230V-50:60Hz
8.6	258895	POMP SUNTEC A2L65A-9708-4P-0500 230V-50:60Hz
8.6.1	111226	COIL SUNTEC-3713798 230V-50:60Hz
8.6.2	258583	BODY SOLENOID VALVE POMP SUNTEC-991502_2 AT-AL
8.6.3	590000	GASKET SHAFT POMP SUNTEC-991511 AN-AS-AL-AT
9	055486	GR.PIPELINE DELIVERY POMP-NOZZLES-HOLDER 1°ST.
10	055487	GR.PIPELINE DELIVERY POMP-NOZZLES-HOLDER 2°ST.
11	055488	GR.PIPELINE DELIVERY HYDRAULIC JACK
12	055614	GR.COVER ASPIRATION
12.2	052279	GR.HYDRAULIC JACK
12.2.1	031252	HYDRAULIC JACK SLEEVE
12.2.3	031628	HYDRAULIC JACK STEM
12.2.7	229302_2	GASKET DE056 DALMAR - VITON
12.2.8	244204	SPRING TO CYLINDRICAL HELIX 1.4x13.2x52
12.4	055613	GR.SHUTTER AIR
12.4.1.1	220001	BEARING SKF 625-2Z
12.4.3.1	220001	BEARING SKF 625-2Z
12.4.5	220000	BEARING SKF 626-2Z
13	055627	COMBUSTION HEAD D98
13.1	013578	FLAME DISK SUPPORT
13.3	021131	FLAME DISK
13.5	133229	IGNITION ELECTRODE
14.1	013577	FLANGE BLAST TUBE
15	055632	NOZZLE-HOLDER GR. 1°ST.
15.1	034822	NOZZLE-HOLDER
15.2	034839_3	NOTZZLEHOLDER PIPE
16	055653	NOZZLE-HOLDER GR. 2°ST.
16.1	034822	NOZZLE-HOLDER
16.2	055652	TUBE WITH INDEX GR.WELDED
17	055680	BURNER'S ACCESSORIES FBR

We use cookies to track usage and preferences. / Questo sito utilizza i cookies per finalità di profilazione e navigazione. [Accept](#) / [Accetta](#)

17.3	118445	PLUG WIELAND ST 18-7 (7 POLES.T)
17.4	224500	FILTER FAG 20151-PE 0.1-D3:8P
17.8	278008	PIPE FLEX DN8-1200 FF 1:4P-3:8P
18	060452	BURNER'S ELECTRICAL PANEL SIEMENS 1Nac230V-50:60Hz
18.3	111001	BASE CONTROL BOX SIEMENS AGK11
18.4	111002	STILL-CABLE CONTROL BOX SIEMENS AGK66
18.5	118416_4	CABLE+CONNECTOR M-EVP L450
18.6	118416	CABLE+CONNECTOR M-EVP L350
18.7	118444_3	SOCKET ELET.PLAST. EP-7 (7 POLES.T)
18.8	119017	CABLE+CONNECTOR F-MT L600
18.9	139107	PHOTORESISTANCE SIEMENS A7G1034415 BLACK L=500
18.10	189006	CABLE+CONNECTOR M-TR-DANFOSS L300
18.11	189042	IGNITION TRANS. DANFOSS EBI HPM 052F0076-D4 230V-50:60Hz
19	070065	INSTRUCTIONS LIGHT OIL _2 IT FBR-
20	076016	DECLARATION OF CONFORMITY - IGEFD FBR-
21	078357	ELECTRICAL DIAGRAM BURNER
22	101594	CONTROL BOX SIEMENS LMO24.255B2 230V-50:60Hz
22.1	077114	CONTROL BOX INSTRUCTIONS SIEMENS-7130
23	111013	BASE FR SIEMENS QRB1
24	158122	MOTOR SIMEL XD6-208-32-2P 450W 230V-50:60Hz
24.1	118210	CONDENSER SIMEL 14 uF-Vn450-FASTON
27	229002	JOINT MOTOR-POMP SIMEL
28	229707	GASKET FLANGE BURNER
35	291102_7	FAN D200x75 RD HUB D12.7
UGS45	UGS45	Nozzle